






# Radar-Assisted Smart Monitoring Camera

Quick Start Guide

## Symbol Conventions

The symbols that may be found in this document are defined as follows.

Symbol	Description
 <b>Note</b>	Provides additional information to emphasize or supplement important points of the main text.
 <b>Caution</b>	Indicates a potentially hazardous situation, which if not avoided, could result in equipment damage, data loss, performance degradation, or unexpected results.
 <b>Danger</b>	Indicates a hazard with a high level of risk, which if not avoided, will result in death or serious injury.

# Chapter 1 Introduction

## 1.1 Product Introduction

The radar-assisted smart monitoring camera (hereinafter referred to as the device), designed with the ANPR bullet camera and built-in speed measurement radar, supports license plate recognition (LPR), vehicle type, color, and manufacturer recognition, no-plate vehicle capture, driving direction detection, and motorcycle capture, which can be applied widely in scenarios such as the tunnels, toll stations, and urban roads.

## 1.2 Appearance

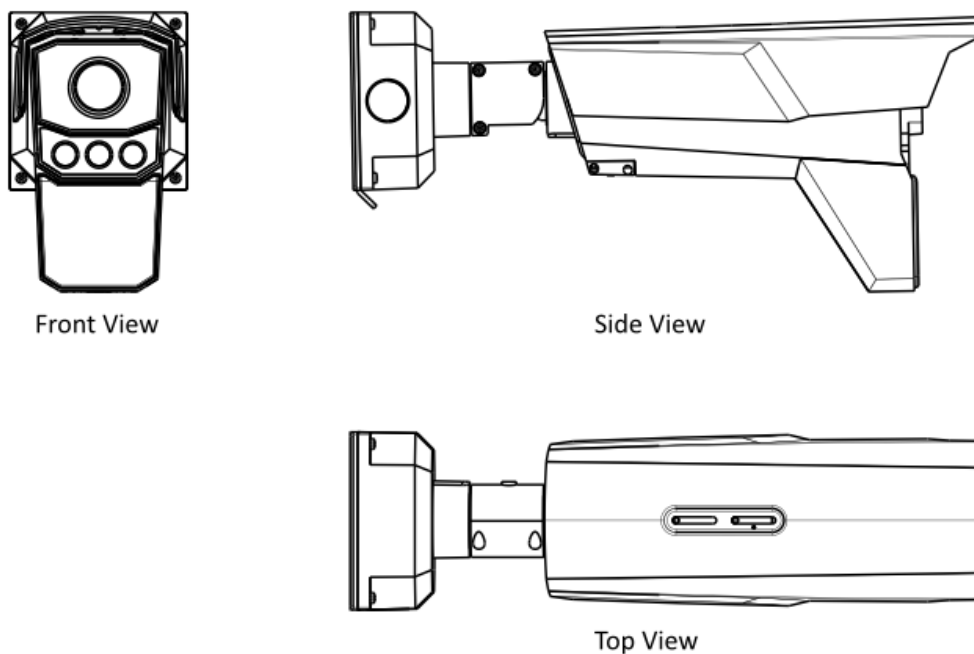


Figure 1-1 Appearance

# Chapter 2 Installation

Please check if there is any damage of the package first. According to the packing list, make sure no item is lost. After checking all the items included, you can continue to install the device. The device can be installed in multiple ways. The following introduces four mounting manners respectively. Please choose the appropriate mounting mode according the actual conditions.

---

## Caution

- Never place the device in an unstable location. The device may fall, causing serious personal injury or death. Install safety protection equipment if necessary. Check regularly.
  - It is recommended to install the device according to the following instructions. We are not responsible for any results coming from individual arbitrary modification or installation.
- 

## 2.1 Ceiling Mounting

Step 1 Stick the mounting template to the selected ceiling according to actual installation needs and drill holes according to the template.

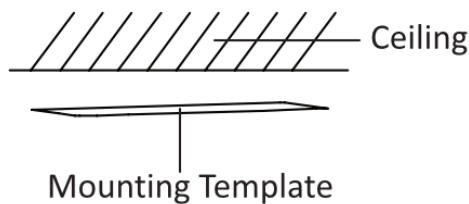


Figure 2-1 Stick Mounting Template

Step 2 Stick the back panel foam to the back panel of the device.

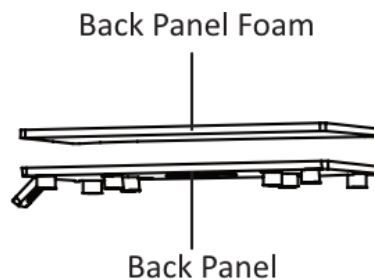


Figure 2-2 Stick Back Panel Foam

Step 3 Remove the waterproof fittings on the back panel, and attach the back panel to the ceiling after threading the preset cables through the cable hole.

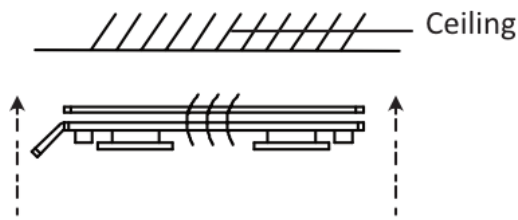


Figure 2-3 Thread Cables

Step 4 Install the waterproof fittings to the back panel, and connect cables to the device body after fastening the safety rope.

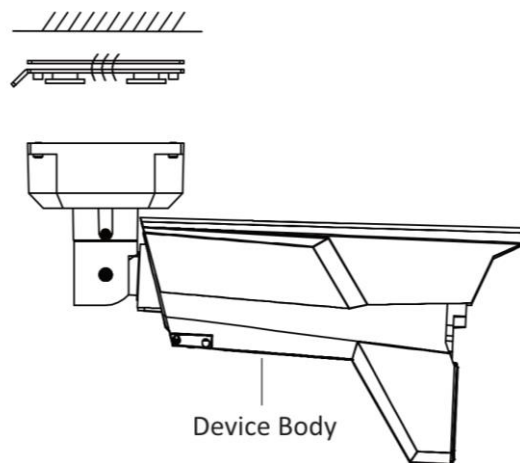


Figure 2-4 Connect Cables to Device

Step 5 Fix the device body onto the back panel by tightening screws (× 4).

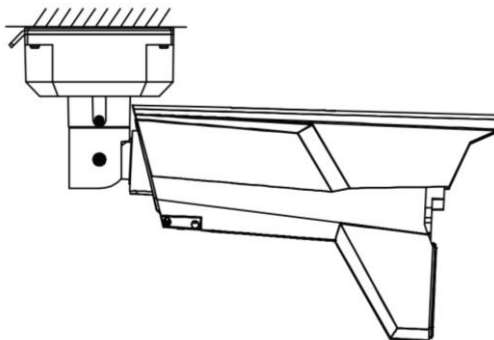
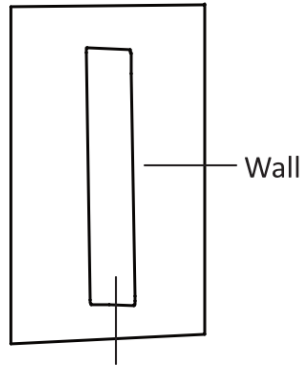


Figure 2-5 Fix Device onto Ceiling

## 2.2 Wall Mounting

Step 1 Stick the mounting template to the wall according to actual installation needs and drill holes according to the template.



Mounting Template

Figure 2-6 Stick Mounting Template

Step 2 Stick the back panel foam to the back panel of the device.

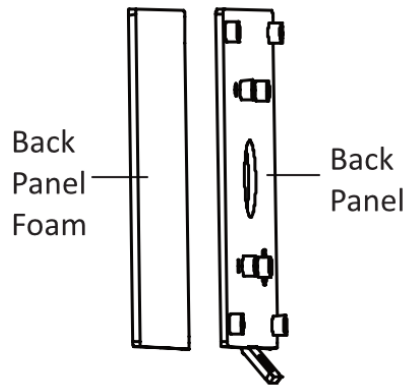


Figure 2-7 Stick Back Panel Foam

Step 3 Remove the waterproof fittings on the back panel, and attach the back panel to the wall after threading the preset cables through the cable hole.

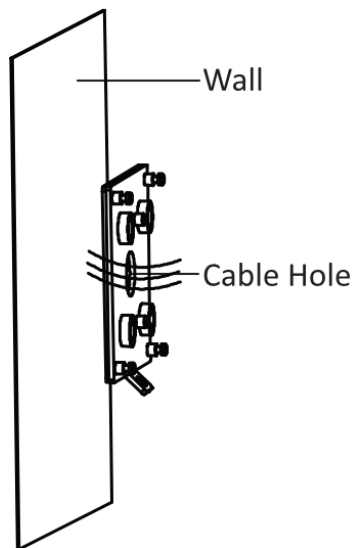


Figure 2-8 Thread Cables

Step 4 Install the waterproof fittings to the back panel, and connect cables to the device body after fastening the safety rope.

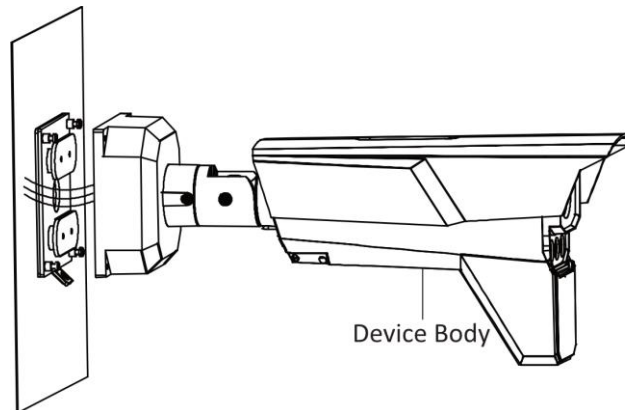


Figure 2-9 Connect Cables to Device

Step 5 Fix the device body onto the back panel by tightening screws (× 4).

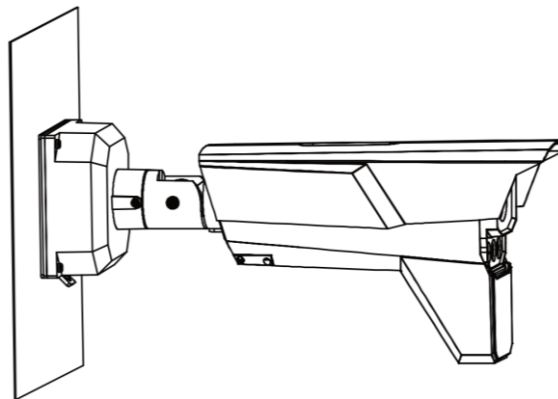


Figure 2-10 Fix Device onto Wall

## 2.3 Pole Mounting

### Note

The hoops and hoop bracket should be prepared by yourself.

Step 1 Unlock the hoops and surround the installation pole with the hoops locked tightly.

Step 2 Attach the back panel to the hoop bracket after threading the preset cables through the cable hole.

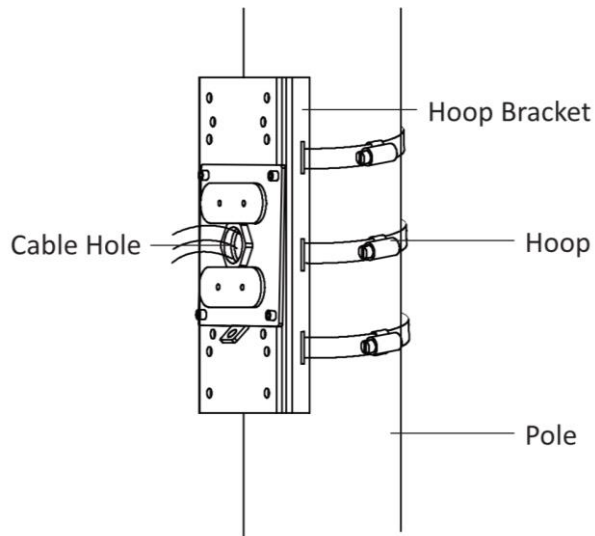


Figure 2-11 Attach Back Panel

Step 3 Connect cables to the device body after fastening the safety rope.

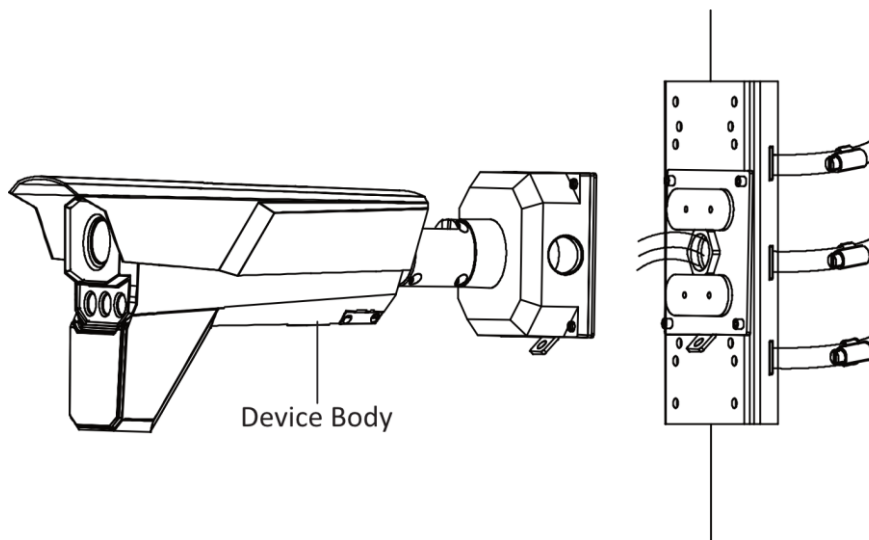


Figure 2-12 Connect Cables to Device

Step 4 Fix the device body onto the back panel by tightening screws (× 4).



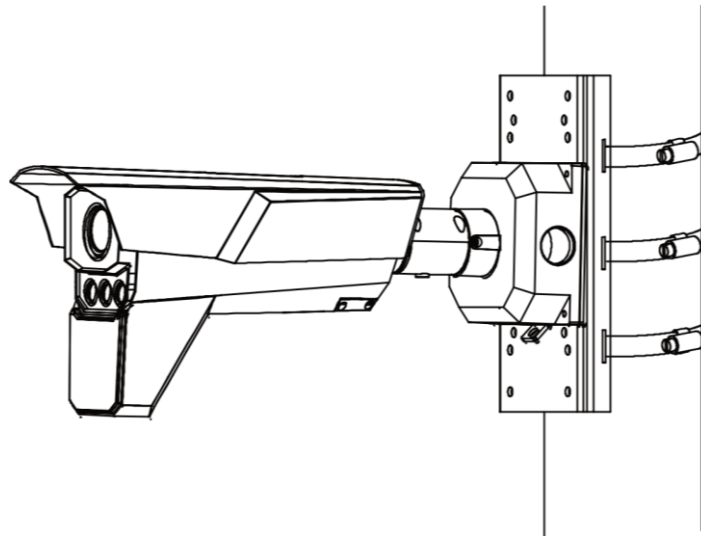


Figure 2-13 Fix Device onto Pole

## 2.4 Rail Mounting

### Note

The universal joint, hoops, and hoop bracket should be prepared by yourself.

Step 1 Unlock the hoops and surround the installation rail with the hoops locked tightly.

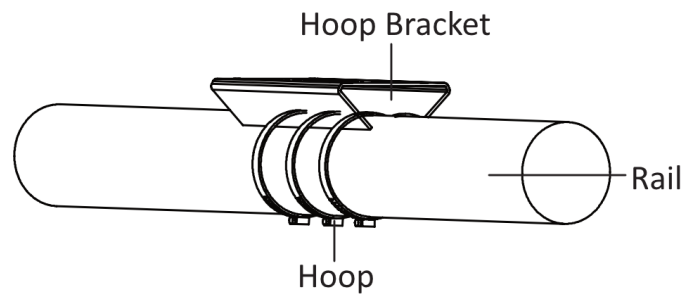


Figure 2-14 Install Hoops

Step 2 Fix the bottom part of the universal joint onto the hoop bracket.

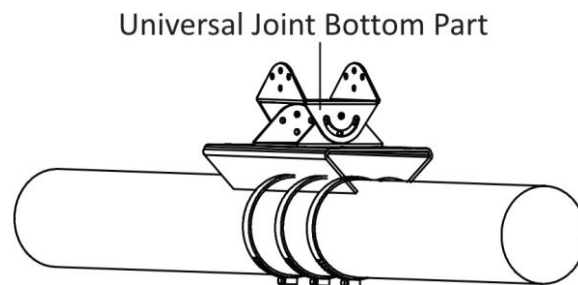
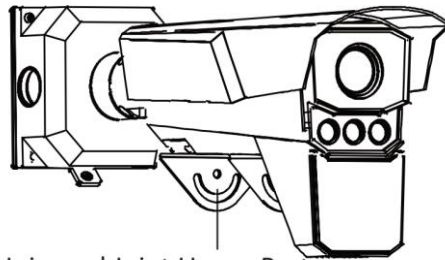


Figure 2-15 Install Universal Joint Bottom Part

Step 3 Fix the upper part of the universal joint onto the device body.



Universal Joint Upper Part  
Figure 2-16 Install Universal Joint Upper Part

Step 4 Fix the upper part of the universal joint to the bottom part of the universal joint.

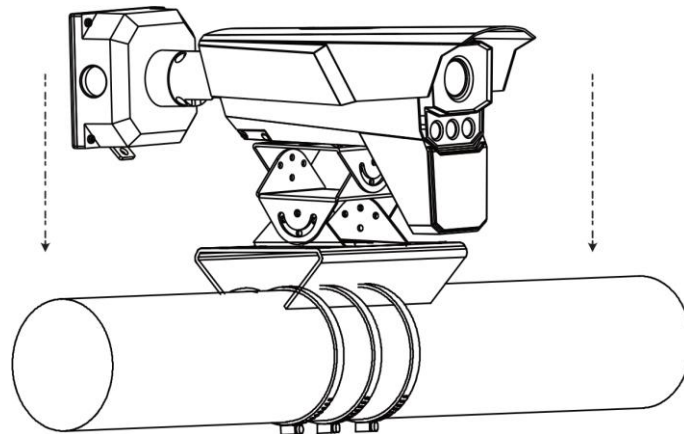


Figure 2-17 Fix Universal Joint

Step 5 Remove the back panel of the device to connect the preset cables in the junction box.

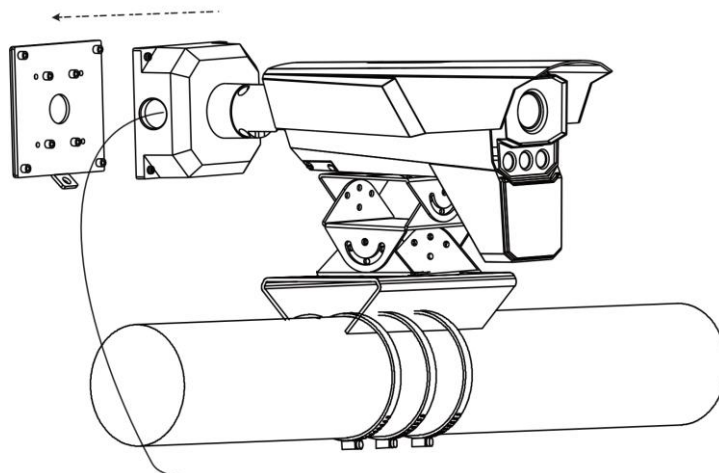


Figure 2-18 Connect Cables

Step 6 Install the back panel back to the device.

## Chapter 3 More Information

For more information, please scan the QR code below to get the corresponding guidance.



Figure 3-1 User Manual



See Far, Go Further